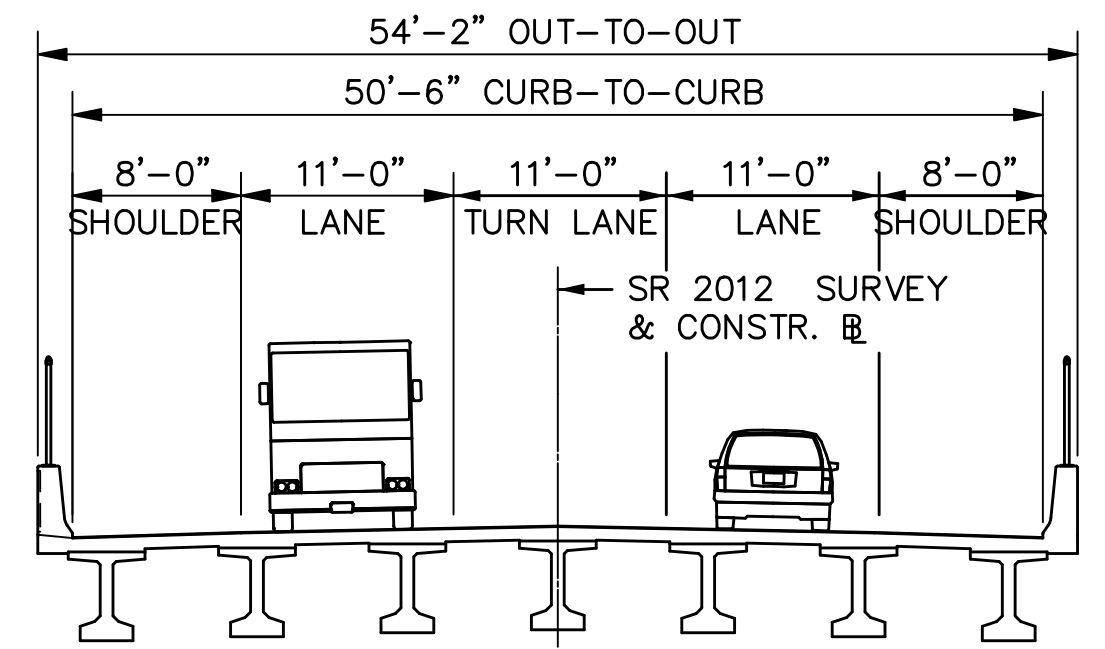
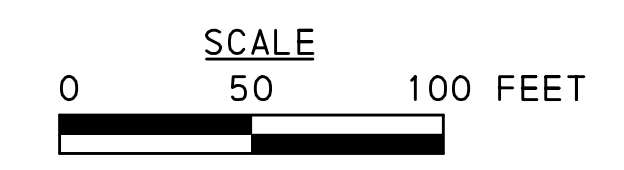


Lower Macungie Road Existing Bridge Typical Section



Lower Macungie Road Proposed Bridge Typical Section

NOT TO SCALE



Legend

EXISTING ROADWAY	PROPOSED CUT LINE
EXISTING STRUCTURE	PROPOSED FILL LINE
PROPOSED ROADWAY	REQUIRED LEGAL RIGHT-OF-WAY LINE
PROPOSED SHOULDER	EXISTING LEGAL RIGHT-OF-WAY LINE
PROPOSED STRUCTURE	PARCEL - (NOT AFFECTED)
PROPOSED STORMWATER MANAGEMENT BMP	PARCEL - (AFFECTED)
REQUIRED RIGHT-OF-WAY	PROPOSED DRAINAGE SWALE
PROPOSED EASEMENT	DRAINAGE SYSTEM
	PROPERTY LINE

PRELIMINARY
July 26, 2022

