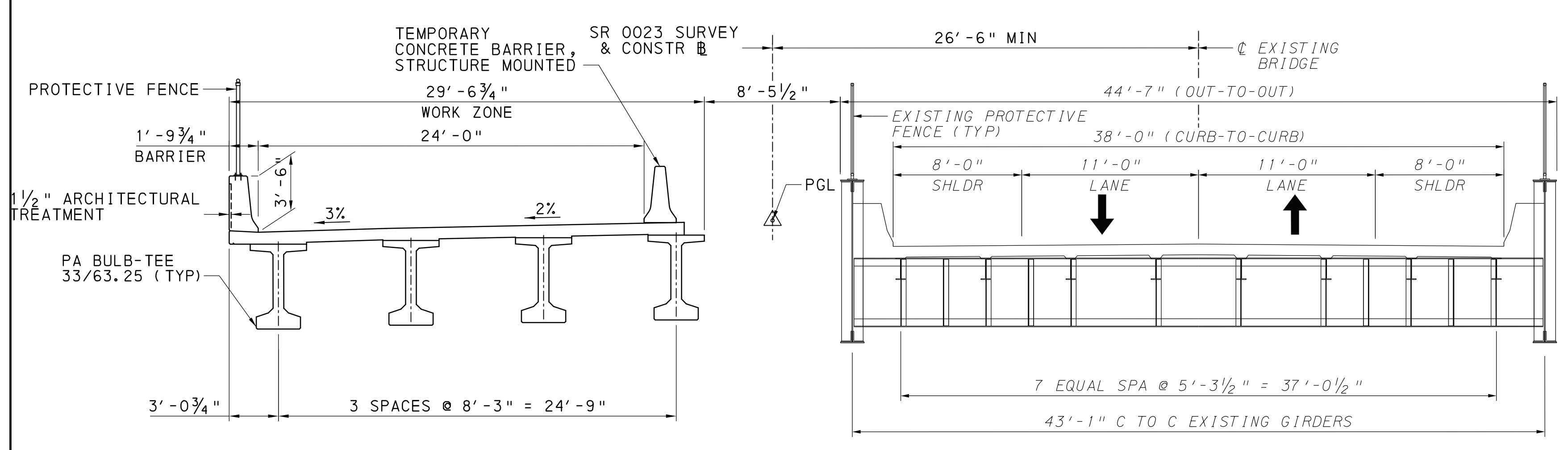
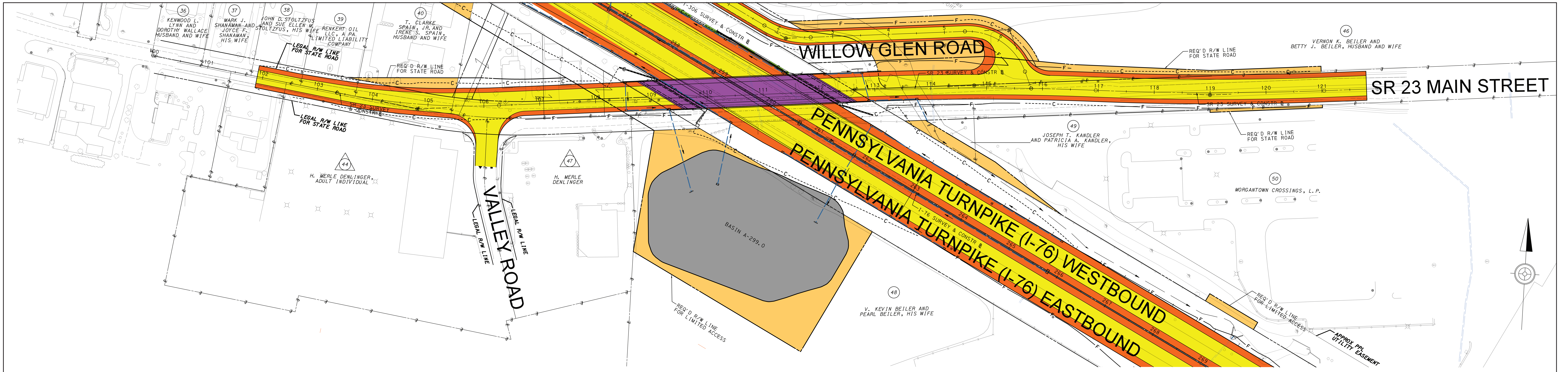
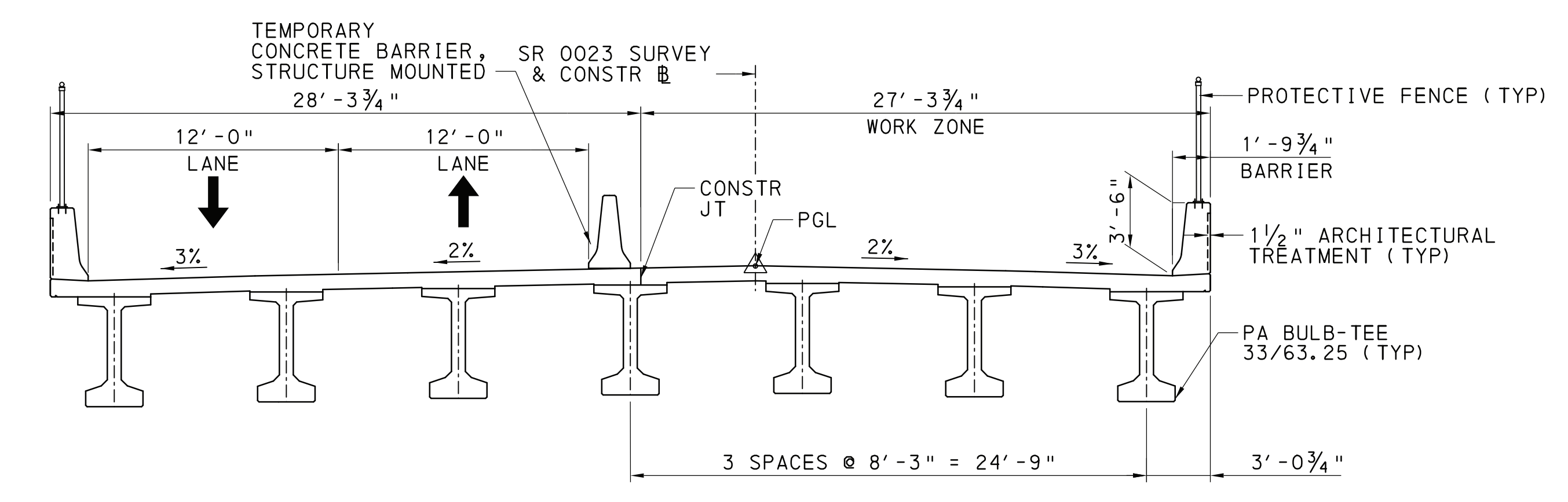


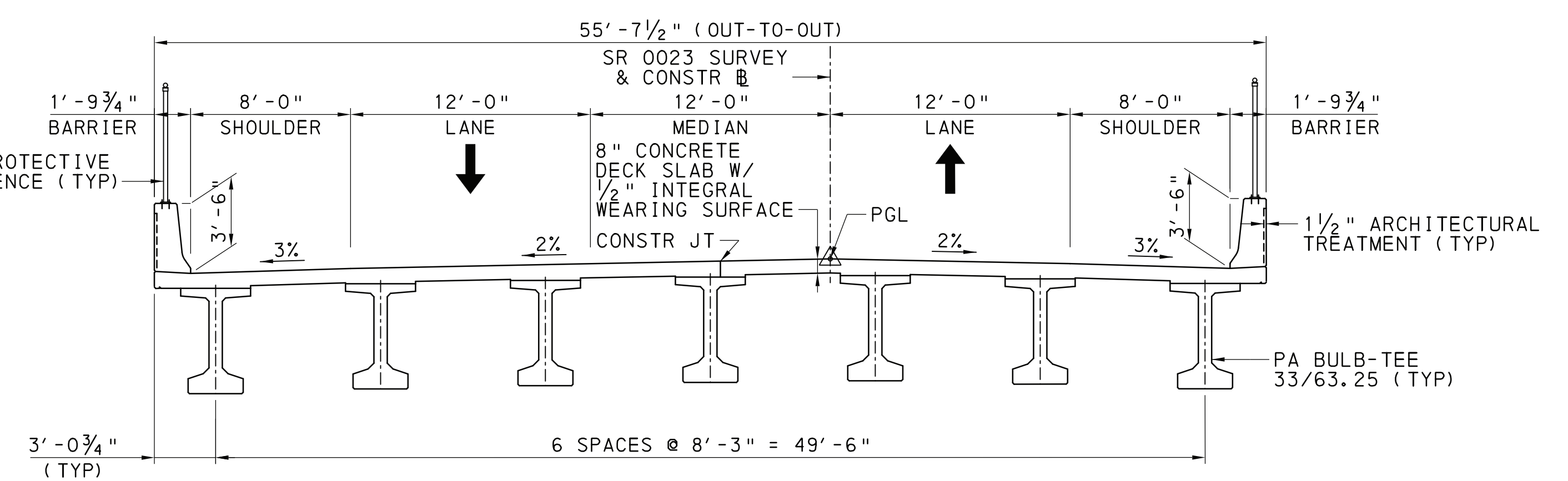
Main Street (SR 23)



STAGE 1 CONSTRUCTION
SCALE IN FEET
0 2 4 8



STAGE 2 CONSTRUCTION
SCALE IN FEET
0 2 4 8



COMPLETED CONSTRUCTION
SCALE IN FEET
0 2 4 8

LEGEND

- PROPOSED ROADWAY
- PROPOSED SHOULDER
- PROPOSED STRUCTURE
- PROPOSED RETAINING WALL
- EXISTING WETLANDS
- EXISTING WATERWAY
- STORMWATER MANAGEMENT BASIN (SWM)
- REQUIRED RIGHT-OF-WAY ACQUISITION
- PROPOSED EASEMENT
- PARCEL (AFFECTED)
- PARCEL (NOT AFFECTED)
- PROPOSED CUT LINE
- PROPOSED FILL LINE
- LEGAL RIGHT-OF-WAY LINE
- REQUIRED RIGHT-OF-WAY LINE
- EXISTING ROW FENCE
- EXISTING DRAINAGE
- PROPOSED DRAINAGE